

# Crawler Series

MAXIMUM TRACTION ON ANY SURFACE

AGES 14+  
适用于年龄14岁以上

2.4GHz  
Version



This instructions is being in use for different version vehicles.  
Please check your received item carefully.



## 1/10 SCALE 4WD OFF-ROAD ROCK CRAWLER TRUCK

宽度	258毫米	Width	10.15Inches( 258mm)
轴距	313毫米	Wheelbase	12.3Inches( 313mm)
最小离地间隙	75毫米	Ground Clearance	2.95Inches( 75mm)
轮胎直径	110毫米	Tire	1.9Inches( 48.2mm)*4.3 Inches( 110mm)

- \* 驱动桥采用金属齿轮。
- \* 全车采用高性能超强抗冲击复合尼龙工程塑胶材料；
- \* 采用模型专用高放电镍氢或锂电池；
- \* 专业模型最大改进550；
- \* 采用防水高反应和大功率电子调速器；
- \* 底盘方式安装伺服器；
- \* 前置电池仓座；
- \* 采用C型钢制大梁；
- \* 全新设计悬架拉杆结构；
- \* 防尘齿轮罩。

- \* Drive axle twin differential use sintered hardened steel bevel gears with CNC.
- \* High performance Ultra rugged composite nylon materials.
- \* Advanced high discharge, high capacity and high power NiMH & Li-PO battery technology.
- \* Professional hobby 550 modified maximum motor.
- \* Waterproof high reactivity, high-power ESC.
- \* CHASSIS MOUNTED SERVO (CMS).
- \* Front battery cabin.
- \* STEEL C-CHANNEL FRAME RAILS.
- \* Properly designed suspension for nearly zero bump steer.
- \* Dust-proof gear cover.

Thank you for purchasing this Remo Hobby product.

Please read these instructions carefully before operating this product and retain them for future reference.

The images shown in this manual are for illustrative purposes only.

感谢您购买雷魔模型的产品。操作本产品前请仔细阅读这些说明, 保留备查。本手册中所示的图像只用于演示。

Caution: If discover the instruction is different from physical description, please email us on [remo@remohobby.com](mailto:remo@remohobby.com), or see our website at [www.remohobby.com](http://www.remohobby.com)

注意: 如发现说明书跟实物描述不同请及时联系我们, 或者查看我们的网站[www.remohobby.com](http://www.remohobby.com)

**Radio Gear / Fernsteueranlage / Equipement Radio** 无线电设备

**Radio control system**

• You will need a 2-Channel radio system with one servo, receiver, an electronic speed control with an ON/OFF switch.

**Fernsteueranlage**

• Sie werden ein 2-kanal Radio System mit einem Servo, Empfänger, eine elektronische Geschwindigkeitssteuerung mit einem Netzschalter brauchen.

**Ensemble radiocommande**

• Vous aurez besoin d'un système de radio de 2 Chaînes avec un servo, le récepteur, un contrôle de vitesse électronique avec un interrupteur(on-off).

无线电控制系统:

您将需要一个双通道无线电遥控器, 一个伺服器(舵机), 接收器, 电子调速器和一个 ON/OFF 开关。

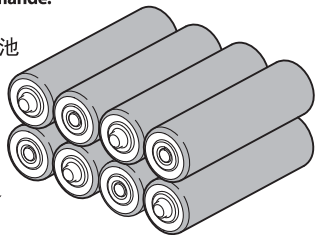
• 8AA Alkaline Dry Batteries.

• 8 St. AA Trockenbatterien.

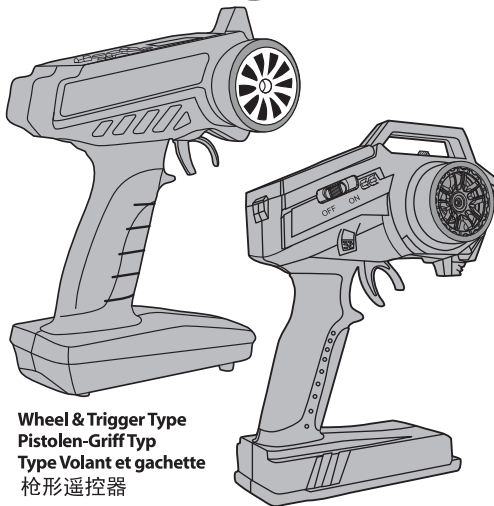
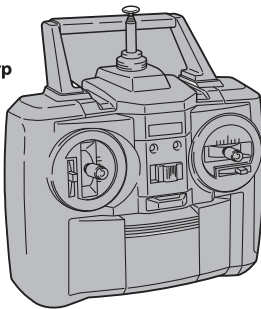
• 8 piles type R6 pour votre radio commande.

8个“AA”  
碱性干电池

8x

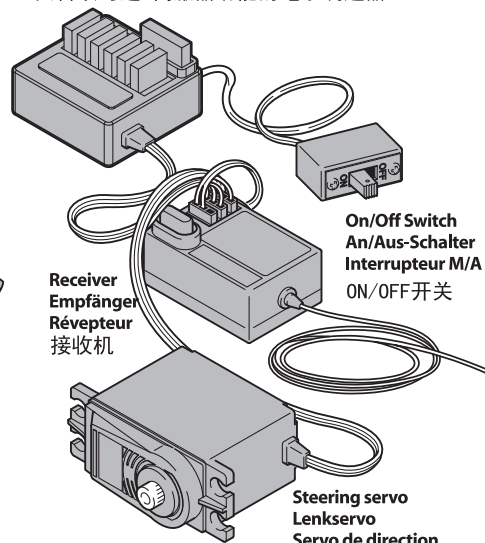


Stick Type  
Steuernüppel-Typ  
Type manches  
方形遥控器



Wheel & Trigger Type  
Pistolen-Griff Typ  
Type Volant et gachette  
枪形遥控器

Electronics Speed Control with Dual Motor Capabilities  
Electronics Speed Control  
Elektronischer Fahrtenregler  
Contrôleur de Vitesse électronique  
具备双马达/伺服器功能的电子调速器

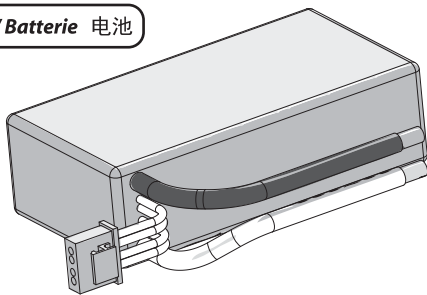


On/Off Switch  
An/Aus-Schalter  
Interrupteur M/A  
ON/OFF 开关

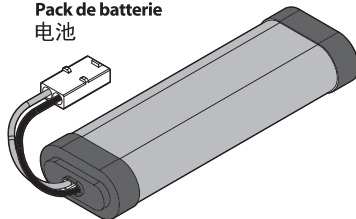
Receiver  
Empfänger  
Récepteur  
接收机

Steering servo  
Lenkservo  
Servo de direction  
转向伺服器(舵机)

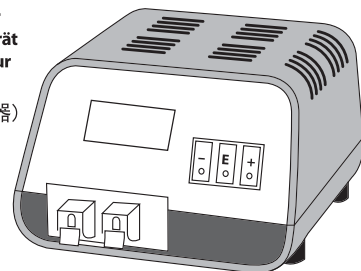
**Battery / Akku / Batterie** 电池



Battery  
Akku-Pack  
Pack de batterie  
电池

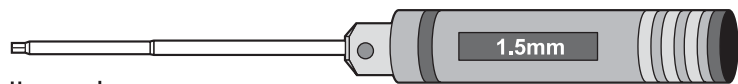


Charger  
Ladegerät  
Chargeur  
充电器  
(适配器)

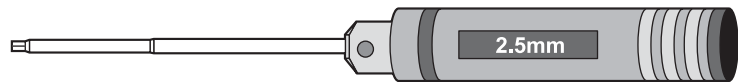
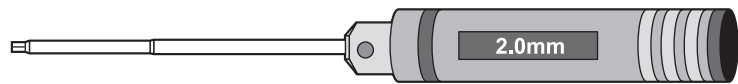


**Tools Recommended / Benötigte Werkzeuge / Outillage** 推荐工具

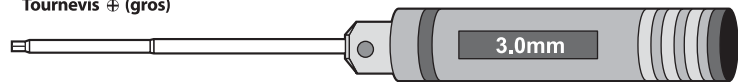
**Hex screwdrivers**  
内六角螺丝刀



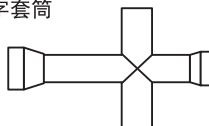
**Hex wrench**  
Inbusschlüssel  
Clé Allen



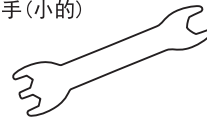
⊕Screwdriver (large)  
⊕Schraubenzieher (gross)  
Tournevis ⊕ (gros)



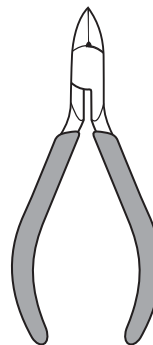
**Small Cross Tool**  
小十字套筒



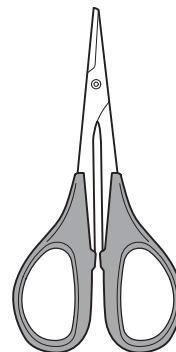
**Spanner (small)**  
扳手(小的)



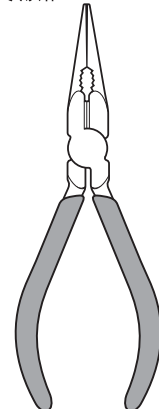
**Side cutter**  
Seitenschneider  
Pinces coupantes  
剪钳



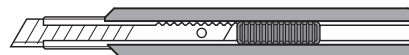
**Curved scissors**  
Schere  
Ciseaux  
剪刀



**Long nose pliers**  
Flachzange  
Pinces à becs longs  
尖嘴钳



**Modeling knife**  
Modelliermesser  
Couteau de modéliste  
刮刀



组装时需要的零件 Assemble the necessary parts

**F5216** M2.5x8mm  
hex socket cap-head  
内六角杯头螺丝 x4



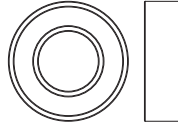
**M5318** E3.5  
E-Clip  
E型卡环 x2



**B5505** 10x15x4mm  
Ball bearings  
滚动轴承 x1



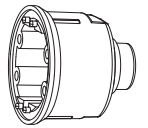
**B5504** 8x16x5mm  
Ball bearings  
滚动轴承 x1



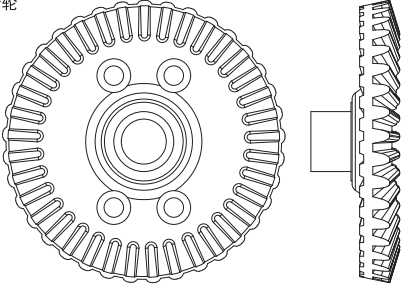
**B5503** 6x12x4mm  
Ball bearings  
滚动轴承 x2



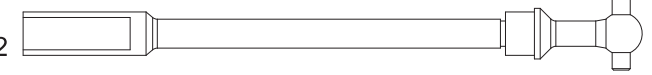
**P7134**  
Differential Carrier  
差速壳 x1



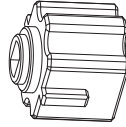
**G4837**  
37T bevel gear x1  
伞齿轮



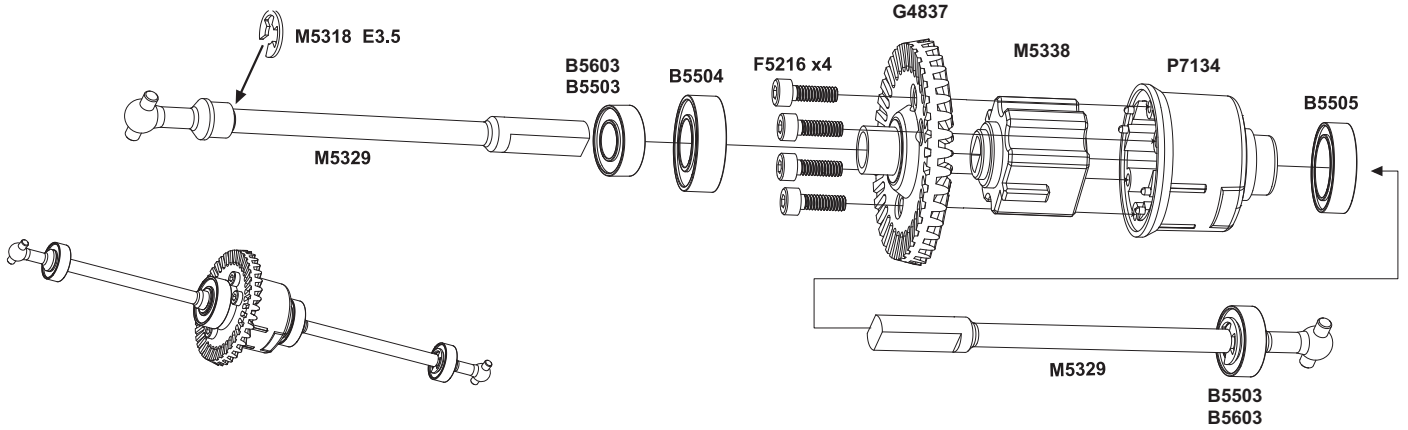
**M5329** 6x85mm  
Slid axle dogbone  
传动狗骨轴 x2



**M5338**  
Heavy Duty Locker  
固定锁块 x1



**B5603/B5603**  
为粉末铜套  
powder-sintering copper sleeve



组装时需要的零件 Assemble the necessary parts

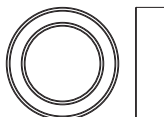
**F5216** M2.5x8mm  
hex socket cap-head  
内六角杯头螺丝 x4



**M5318** E3.5  
E-Clip  
E型卡环 x2



**B5505** 10x15x4mm  
Ball bearings  
滚动轴承 x1



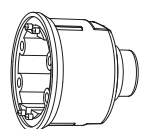
**B5504** 8x16x5mm  
Ball bearings  
滚动轴承 x1



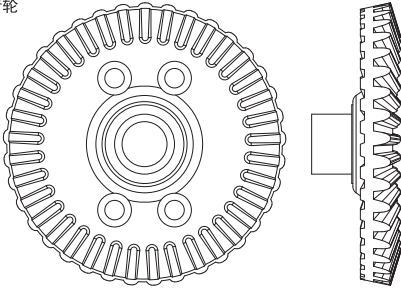
**B5503** 6x12x4mm  
Ball bearings  
滚动轴承 x2



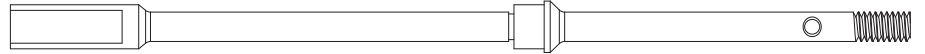
**P7134**  
Differential Carrier  
差速壳 x1



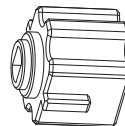
**G4837**  
37T bevel gear x1  
伞齿轮



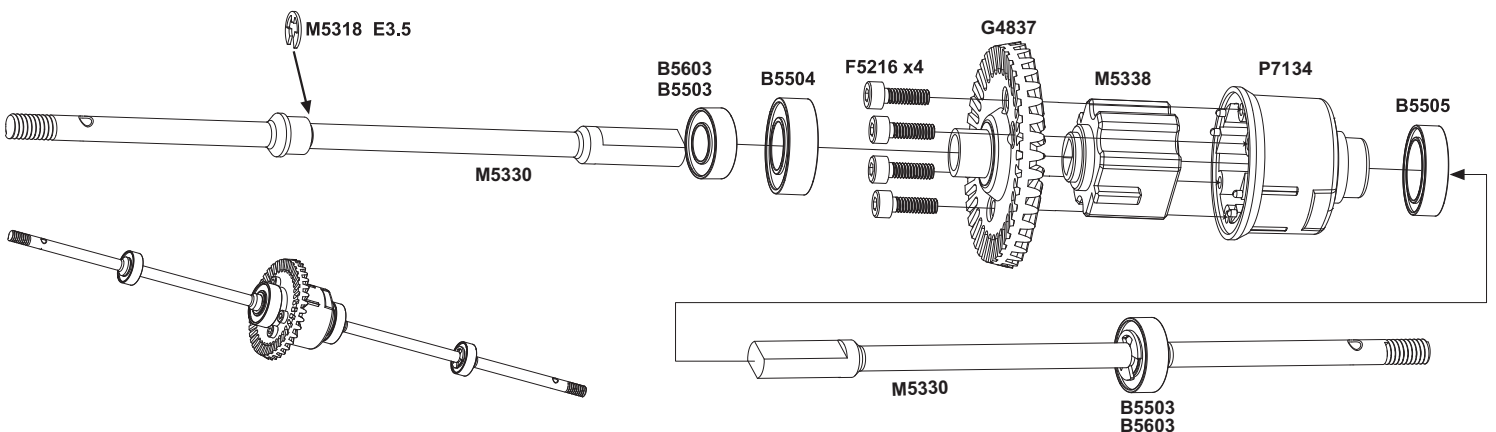
**M5330** 6x119mm  
Slid axle dogbone  
传动狗骨轴 x2



**M5338**  
Heavy Duty Locker  
固定锁块 x1



**B5603/B5603**  
为粉末铜套  
powder-sintering copper sleeve



组装时需要的零件 Assemble the necessary parts

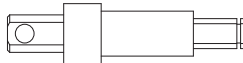
**F5225** M3  
Mylon locking  
防松螺母 x4



**F5231** M3x18mm  
hex socket button head  
内六角半圆头螺丝 x8



**M5328** 8x31mm  
Inputs shaft  
传动轴 x2



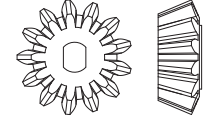
**M5317** E2.5  
E-Clip  
E型卡环 x2



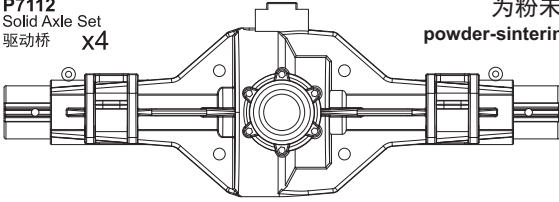
**B5503** 6x12x4mm  
Ball bearings  
滚动轴承 x4



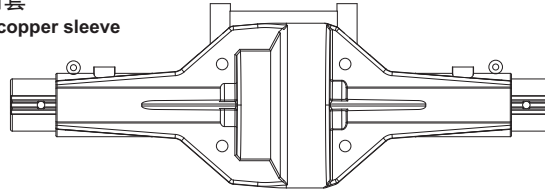
**G4513**  
13T bevel gear  
伞齿轮 x2



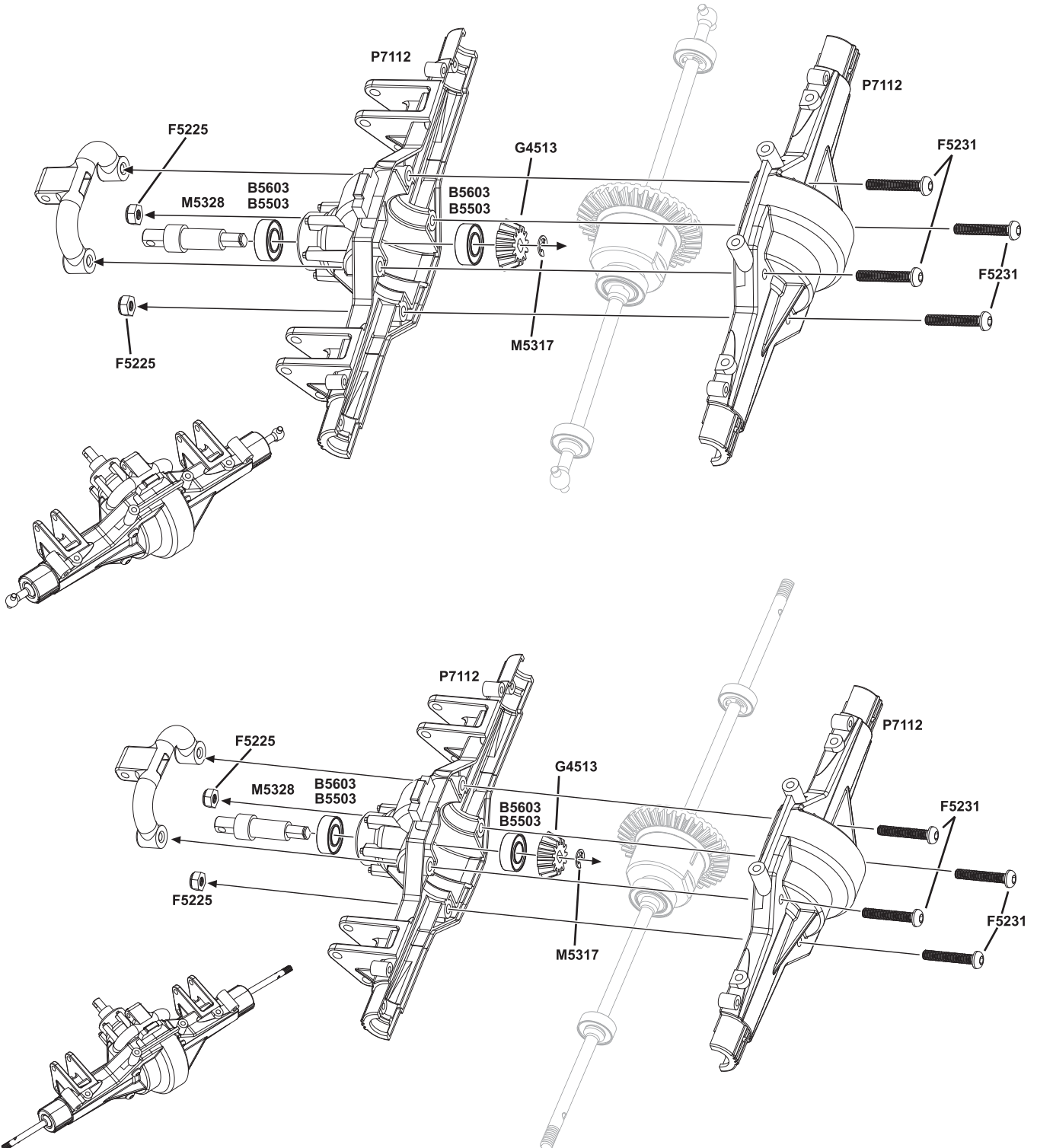
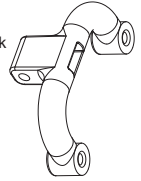
**P7112**  
Solid Axle Set  
驱动桥 x4



**B5603/B5603**  
为粉末铜套  
powder-sintering copper sleeve



**P7157**  
Rod fixed block  
拉杆固定块  
x2



组装时需要的零件 Assemble the necessary parts

**M5301** 2x10mm  
Axle pins  
轴销 x4



**F5220** M3x8mm  
hex socket shoulder  
内六角台阶螺丝 x4



**F5201** M2.5x6mm  
hex socket button head  
内六角半圆头螺丝 x8



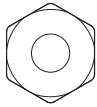
**B5505** 10x15x4mm  
Ball bearings  
滚动轴承 x2



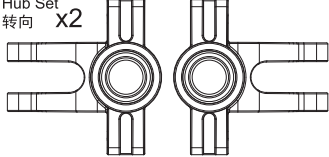
**B5502** 5x11x4mm  
Ball bearings  
滚动轴承 x2



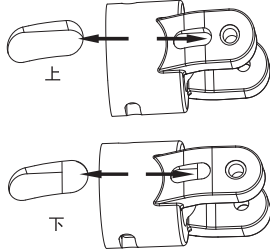
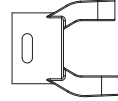
**P2021**  
Wheel hubs  
轮座固件 x4



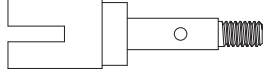
**F7114**  
Hub Set  
转向 x2



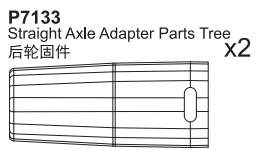
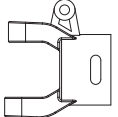
**F7113**  
C Hub Carrier  
C座 x1



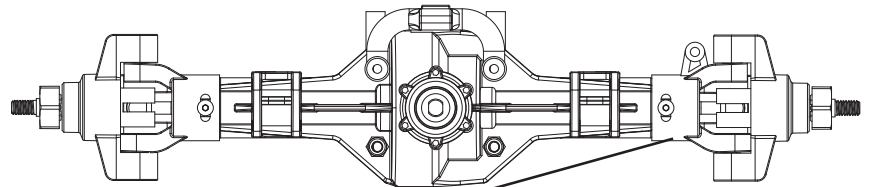
**F5110** 11x40mm  
Wheel axle  
轮轴 x2



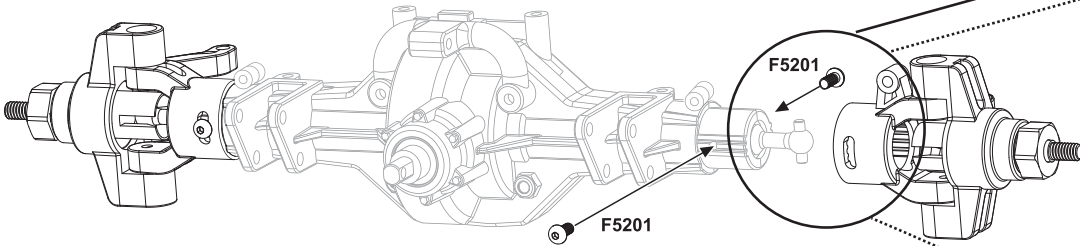
**P7122**  
C Hub Carrier  
C座 x1



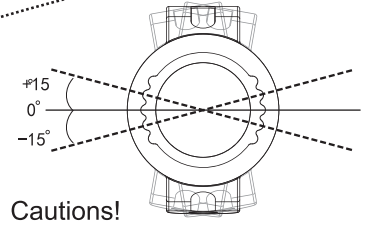
**P7133**  
Straight Axle Adapter Parts Tree  
后轮固件 x2



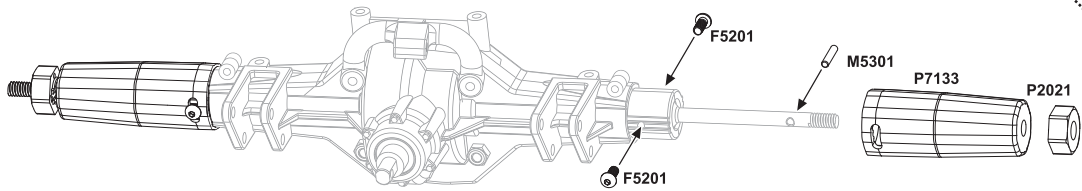
**B5602/B5605**  
powder-sintering copper sleeve  
为粉末铜套



**Cautions!**  
Steering hub has an adjustment angle function. When you are assembled please measure the oval holes on the top and the gap at the bottom; When finished, check the corresponding icon at the same angle.  
**注意!**  
转向座拥有一个调整角度功能, 当你组装时请确认带有椭圆形孔的是在顶端, 有缺口的在下面, 完成后检查相应的图标相同的角度。

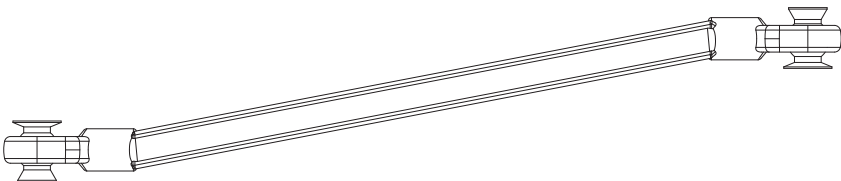


**Cautions!**  
Note adjustable P7112 drive axle and P7122 C hub carrier angled lines.  
**注意!**  
注意可调P7112/P7122驱动桥C座角度线。

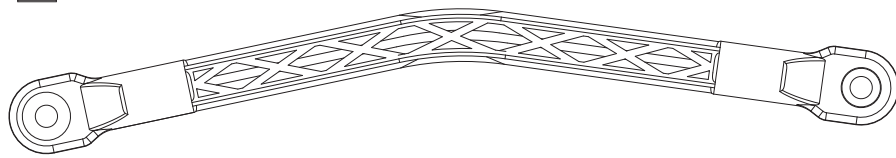


组装时需要的零件 Assemble the necessary parts

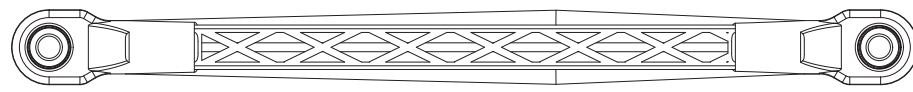
**P7167**  
Rod Ends  
拉杆 x1



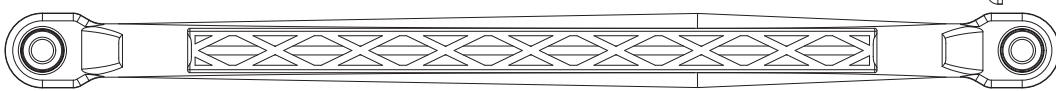
**P7168**  
Rod Ends  
拉杆 x1



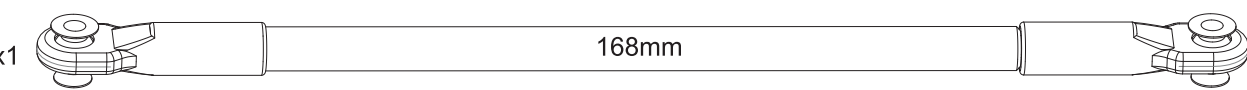
**P7169**  
Rod Ends  
拉杆 x3



**P7170**  
Rod Ends  
拉杆 x4



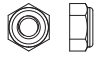
**P7120**  
Rod ends  
固定拉杆 x1



**P7123**  
Universal Coupling Drive Joint  
驱动管 x2



**F5225** M3  
Mylon locking  
防松螺母 x12



**F5234** M3x30mm  
hex socket button head  
内六角半圆头螺丝 x2



**F5206** M3x15mm  
hex socket button head  
内六角半圆头螺丝 x4



**F5232** M3x22 mm  
hex socket button head  
内六角半圆头螺丝 x2



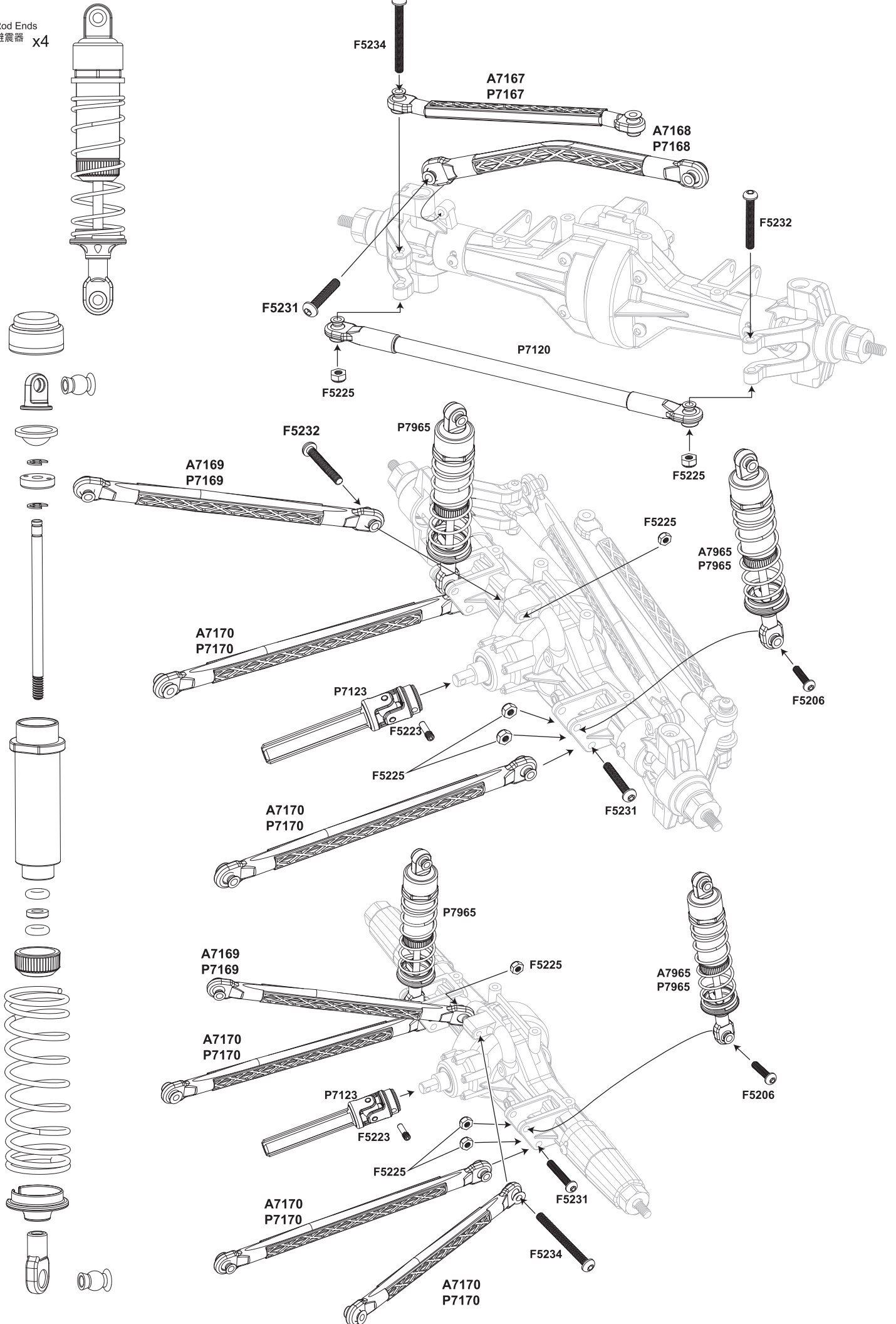
**F5223** M3x2.5x10mm  
Screws  
内六角螺丝 x2

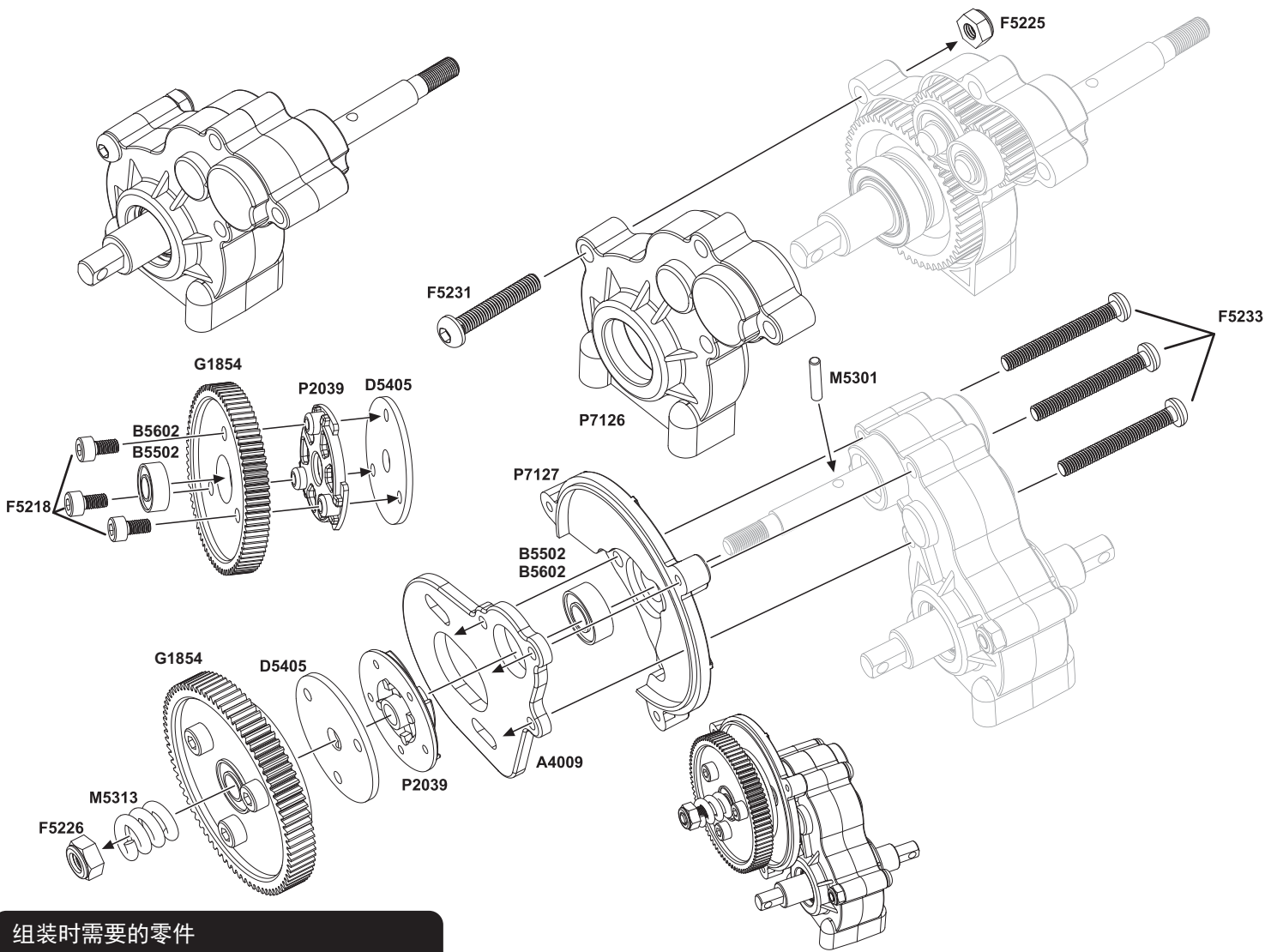


**F5231** M3x18mm  
hex socket button head  
内六角半圆头螺丝 x5



Rod Ends  
避震器 x4





组装时需要的零件

Assemble the necessary parts

**F5216** M2.5x8mm  
hex socket cap-head  
内六角杯头螺丝 x3



**F5217** M3x6mm  
hex socket cap-head  
内六角杯头螺丝 x2



**F5204** M3x10mm  
hex socket button head  
内六角半圆头螺丝 x2



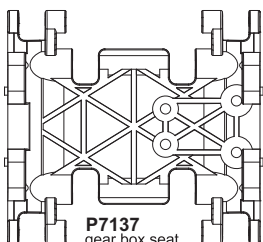
**P7127**  
gear cover  
齿轮盖 x2



**F5223** M3x2.5x10mm  
Screws  
内六角螺丝 x2

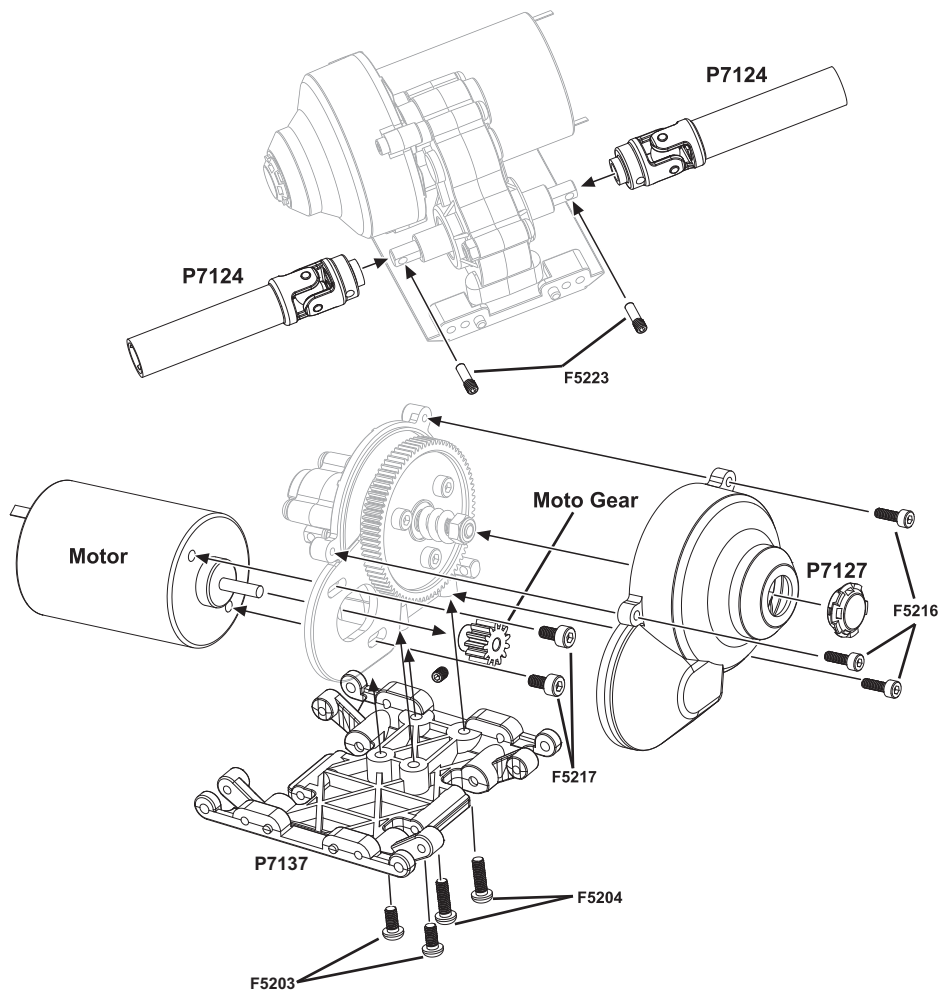
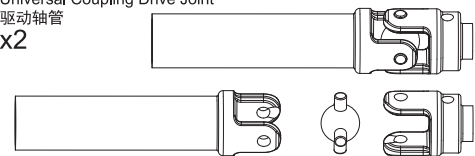


**F5203** M3x6mm  
hex socket button head  
内六角半圆头螺丝 x2



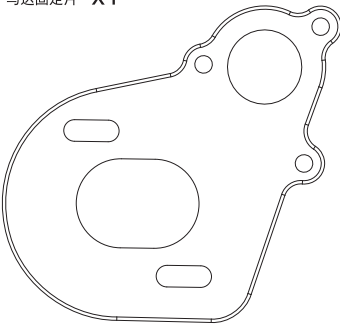
**P7137**  
gear box seat  
齿轮箱座 x1

**P7124**  
Universal Coupling Drive Joint  
驱动轴管 x2



组装时需要的零件 Assemble the necessary parts

**A4009**  
Plate motor  
马达固定片 x1



**M5300** 2x8mm  
Axle pins  
轴销 x1



**M5301** 2x10mm  
Axle pins  
轴销 x1



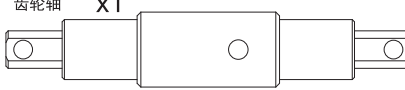
**M5327** 2.5x16mm  
Axle pins  
轴销 x1



**M5325** 5x14mm  
Axle pins  
轴销 x1



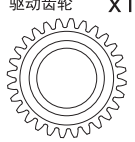
**M5326** 10x54mm  
齿轮轴 x1



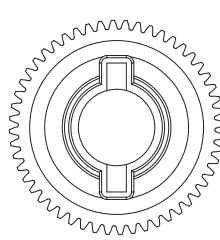
**G1520**  
20T Drive Gear  
驱动齿轮 x1



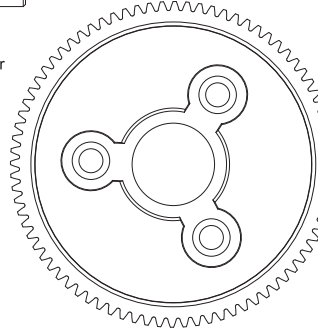
**G1528**  
28T Drive Gear  
驱动齿轮 x1



**G1552**  
52T Drive Gear  
驱动齿轮 x1



**G1580**  
80T Drive Gear  
驱动齿轮 x1



**B5505** 10x15x4mm  
Ball bearings  
滚动轴承 x2



**F5109** 5x53mm  
Drive gear shaft  
驱动齿轮轴 x1



**F5218** M3x8mm  
hex socket cap-head  
内六角杯头螺丝 x3



**F5231** M3x18mm  
hex socket button head  
内六角半圆头螺丝 x1



**F5233** M3x25mm  
hex socket button head  
内六角半圆头螺丝 x3



**F5225** M3  
Mylon locking  
防松螺母 x1



**F5226** M4  
Mylon locking  
防松螺母 x1



**M5313**  
Spring  
弹簧 x1



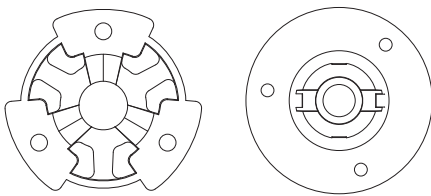
**B5507** 5x10x4mm  
Ball bearings  
滚动轴承 x4



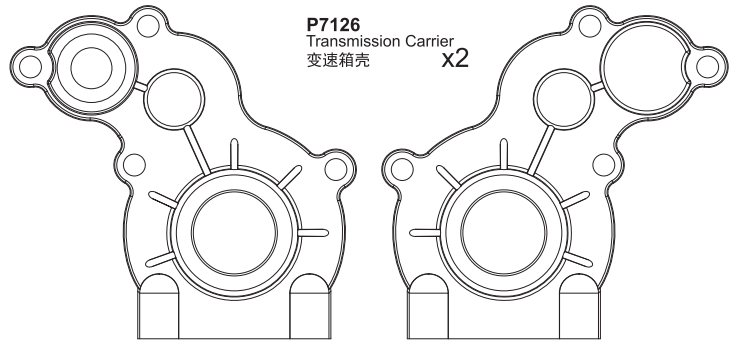
**B5502** 5x11x4mm  
Ball bearings  
滚动轴承 x2



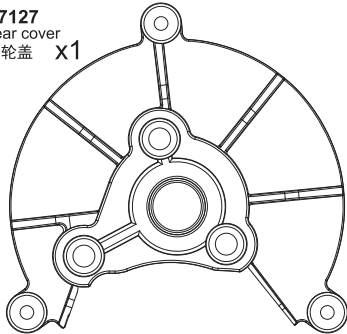
**P2039**  
Slipper pressure plate  
摩擦片座 x2



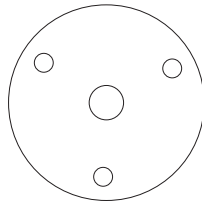
**P7126**  
Transmission Carrier  
变速箱壳 x2



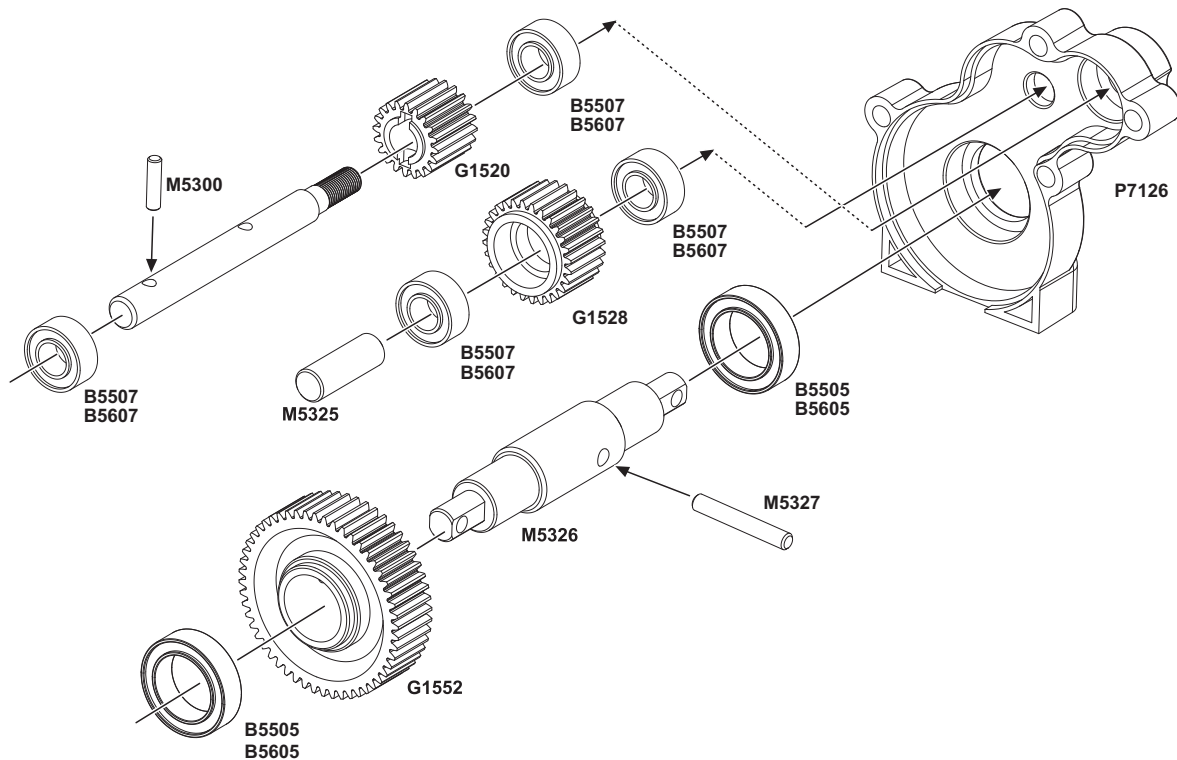
**P7127**  
gear cover  
齿轮盖 x1



**D5405**  
Slipper clutch  
摩擦片 x2



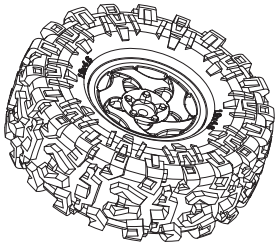
**B5602/B5605/B5607**  
为粉末铜套  
powder-sintering copper sleeve







组装时需要的零件  
Assemble the necessary parts



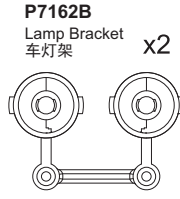
**P7971**  
Tires  
轮胎 x4



**F5226** M4  
Nylon locking  
防松螺母 x4



**M5312**  
Body Clips  
车壳铁销 x4



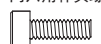
**P7162B**  
Lamp Bracket  
车灯架 x2



**P7163**  
Lampshade  
车灯罩 x4



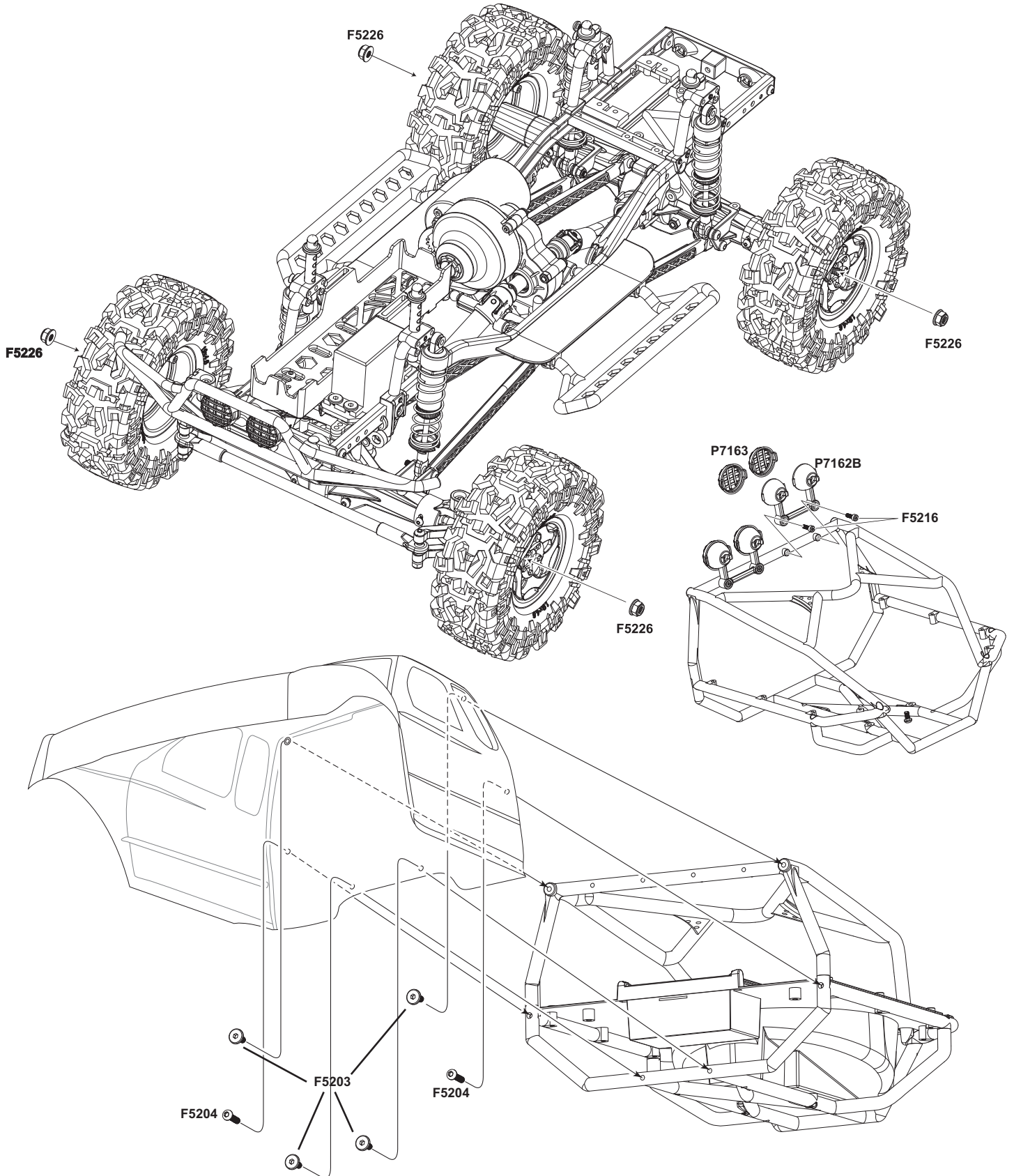
**F5203** M3x6mm  
hex socket button head  
内六角半圆头螺丝 x4



**F5216** M2.5x8mm  
hex socket cap-head  
内六角杯头螺丝 x4

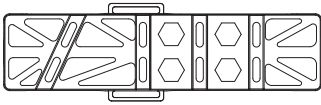


**F5204** M3x12mm  
hex socket button head  
内六角半圆头螺丝 x2

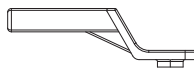


零件组合2 ( Parts unit 2 )

**P7147**  
Battery Tower  
电池座 1pc



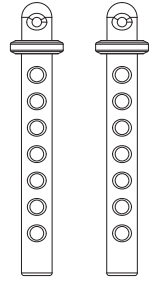
**P7150**  
Tow bar post  
拖车杆 1pc



**P7157**  
Rod fixed block  
拉杆固定块 1pc



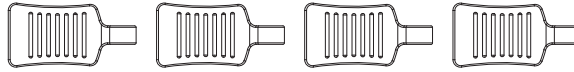
**P7160**  
Body Post  
车壳支架 2pc



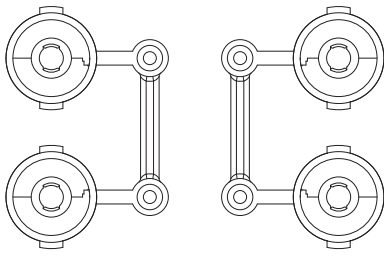
**P7149**  
Frame Brace Set  
支架 1pc



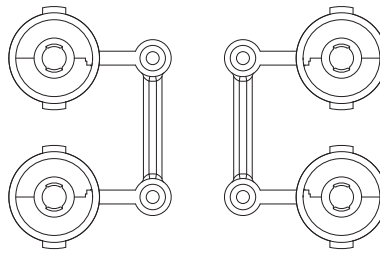
**P7159**  
Body clips handle  
车壳销拉手 4pc



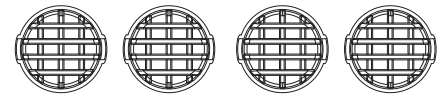
**P7162A**  
Lamp Bracket  
车灯架 2pc



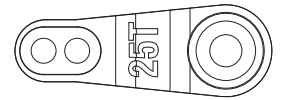
**P7162B**  
Lamp Bracket  
车灯架 2pc



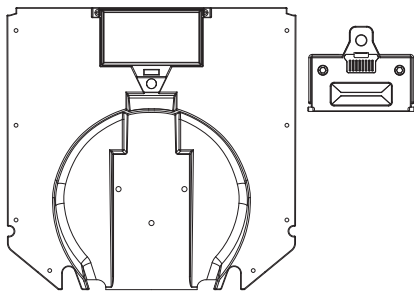
**P7163**  
Lampshade  
车灯罩 4pc



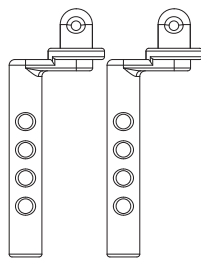
**P7166**  
Servo Arm  
伺服臂 1pc



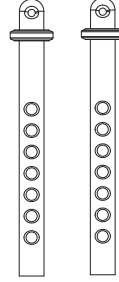
**P7171A**  
Bucket Plate  
凹凸板 2pc



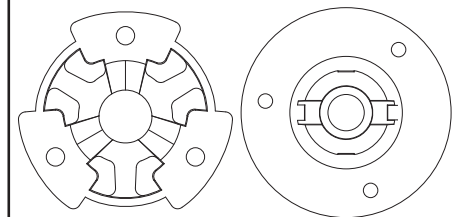
**P7172**  
Body Post  
车壳支架 2pc



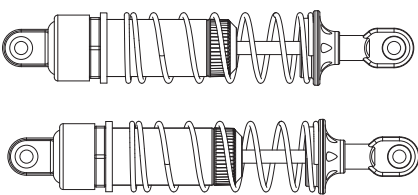
**P7173**  
Body Post  
车壳支架 2pc



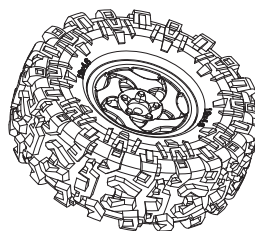
**P2039**  
Slipper pressure plate  
磨擦片座 2pc



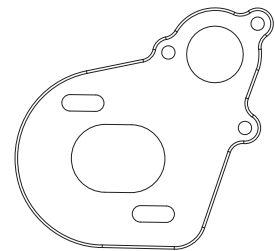
**P7965**  
Shocks  
避震器 2pc



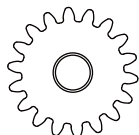
**P7971**  
Tires  
轮胎 1pc



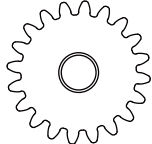
**A4009**  
Plate Motor  
马达固定片 1pc



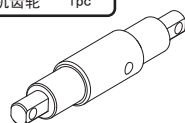
**G5418**  
Gear 18T DP48  
电机齿轮 1pc



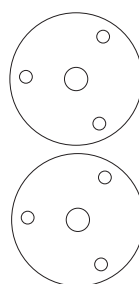
**G5420**  
Gear 20T DP48  
电机齿轮 1pc



**M5326**  
Gear Axle  
电机齿轮 1pc



**D5405**  
Slipper clutch  
磨擦片 2pc

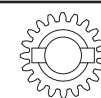


**M5338**  
Heavy Duty Locker  
固定锁块 1pc

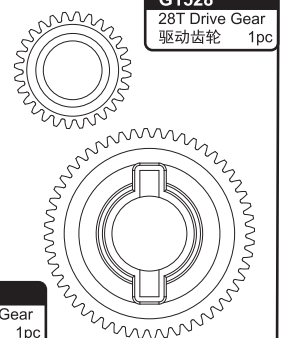


**G1951**  
Gear Package  
驱动齿轮组 3pc

**G1520**  
20T Drive Gear  
驱动齿轮 1pc



**G1552**  
52T Drive Gear  
驱动齿轮 1pc



**G1528**  
28T Drive Gear  
驱动齿轮 1pc

零件组合1 ( Parts unit 1 )

**P7112**  
Solid Axle Set  
驱动桥 2pc

**F7113**  
C Hub Carrier  
0座 1pc

**P7122**  
C Hub Carrier  
0座 1pc

**P7123**  
Universal Coupling Drive Joint  
驱动轴管 2pc

**P7124**  
Universal Coupling Drive Joint  
驱动轴管 2pc

**P7126**  
Transmission Carrier  
变速箱壳 2pc

**P7127**  
Gear Cover  
齿轮盖 3pc

**P7133**  
Straight Axle Adapter Parts Tree  
后轮固件 2pc

**P7134**  
Differential Carrier  
差速壳 2pc

**P7137**  
Gear box seat  
齿轮箱座 1pc

**P7136**  
Frame Brace Set  
支架 1pc

**P7138**  
Servo Brace Set  
伺服支架 1pc

**P7141**  
Side Plates  
踏板架 1pc

**P7142**  
Shock Brace  
避震架 2pc

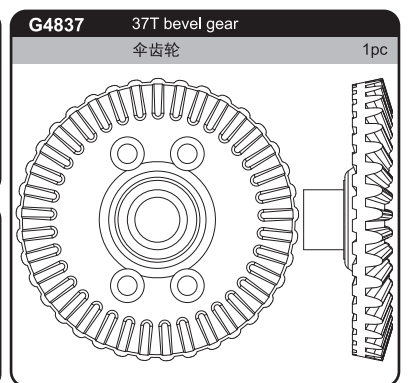
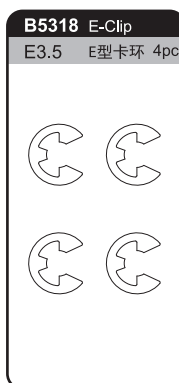
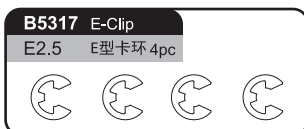
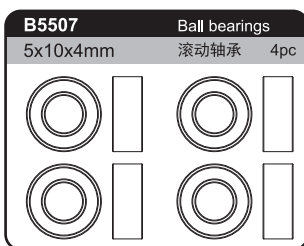
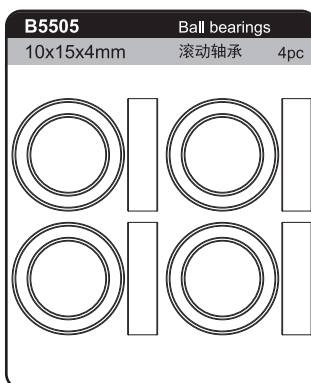
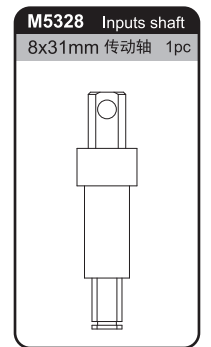
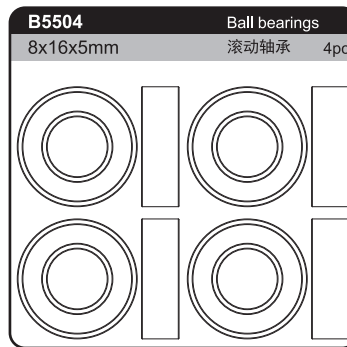
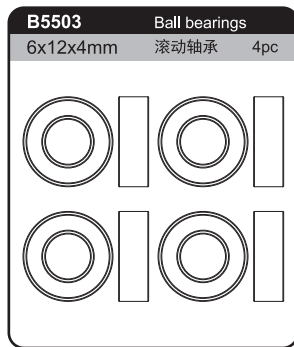
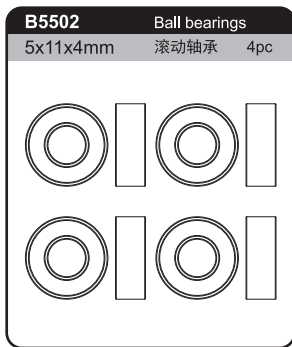
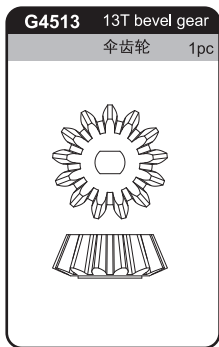
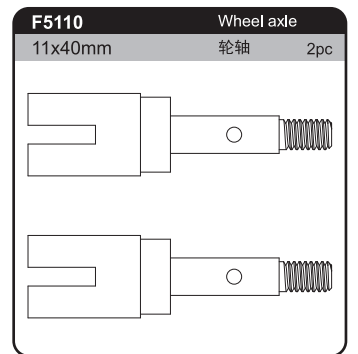
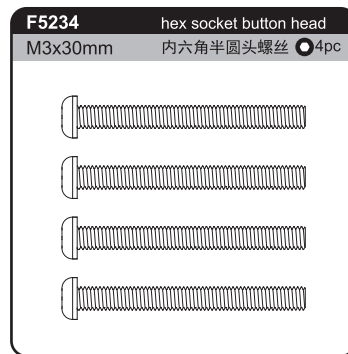
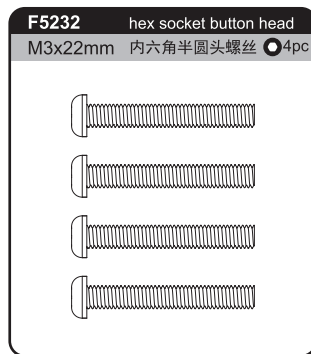
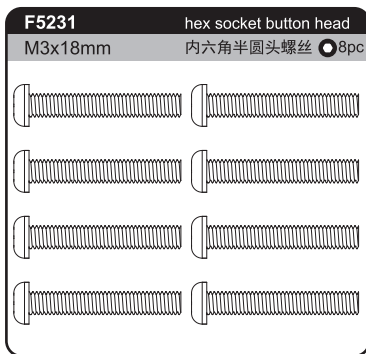
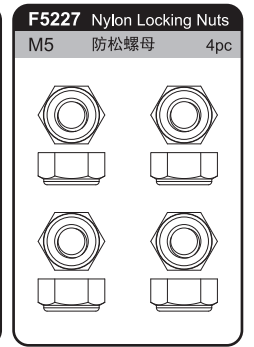
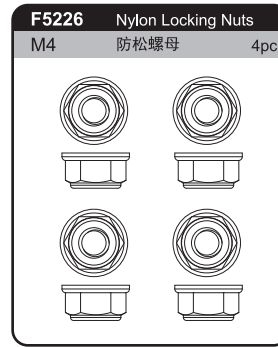
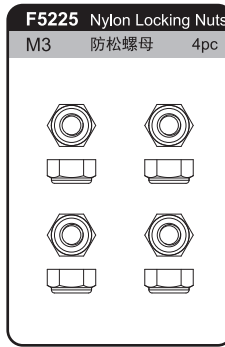
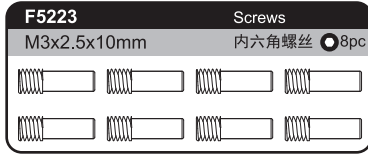
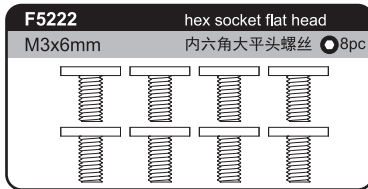
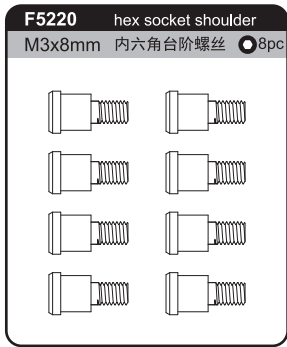
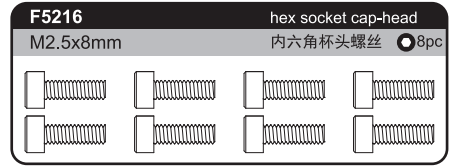
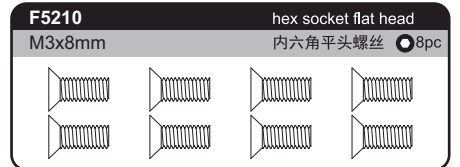
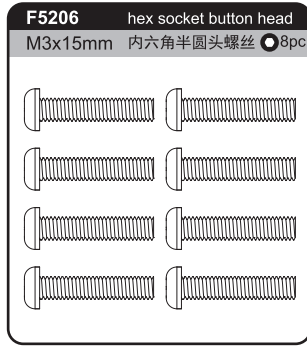
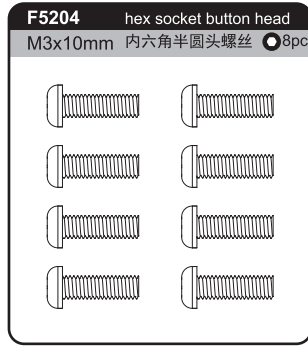
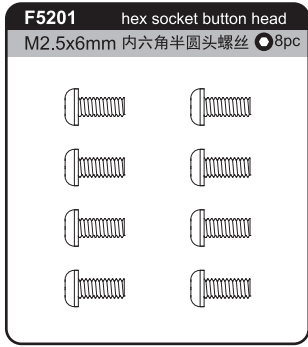
**P7144**  
Spare Tire Carrier  
后备胎架 2pc

**P7143**  
Shock Brace  
避震架 1pc

**P7145**  
Scale Truggy Bed Set  
车车架 2pc

**P7148**  
Bumper front  
防撞架 1pc

配件销售图 Parts for sale view



配件销售图 Parts for sale view

